

PLEASE CHECK WWW.MOLEX.COM FOR LATEST PART INFORMATION

Part Number: [5021185090](#)
Status: **Active**
Description: 0.50mm (.020") Pitch Easy-On™ BackFlip™ FPC Connector, 0.90mm (.035") Height, Right Angle, SMT, Dual Contact Style, 50 Circuits, Lead-free

Documents:

[3D Model](#) [Product Specification PS-502118-001 \(PDF\)](#)
[Drawing \(PDF\)](#) [RoHS Certificate of Compliance \(PDF\)](#)

General

Product Family FFC/FPC Connectors
 Series [502118](#)
 Product Name BackFlip™, Easy-On™

Physical

Circuits (Loaded) 50
 Color - Resin Beige, Brown
 Contact Position Dual
 Durability (mating cycles max) 10
 Entry Angle 90° Angle
 Mated Height (in) 0.035 In
 Mated Height (mm) 0.90 mm
 Material - Metal Phosphor Bronze
 Material - Plating Mating Gold
 Material - Plating Termination Gold
 Number of Rows 1
 Orientation Right Angle
 PCB Locator No
 PCB Retention Yes
 Packaging Type Embossed Tape on Reel
 Pitch - Mating Interface (in) 0.020 In
 Pitch - Mating Interface (mm) 0.50 mm
 Polarized to PCB Yes
 Stackable No
 Temperature Range - Operating -40°C to +85°C
 Termination Interface: Style Surface Mount
 Wire/Cable Type FPC only

Electrical

Current - Maximum per Contact 0.5A
 Voltage - Maximum 50V AC (RMS)/DC

Material Info

Reference - Drawing Numbers

Packaging Specification SPK-502118-001
 Product Specification PS-502118-001, RPS-502118-001
 Sales Drawing SD-502118-001, SD-502118-002

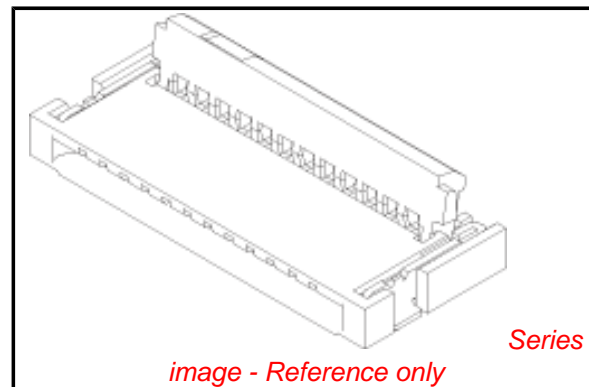


image - Reference only

EU RoHS

**ELV and RoHS
 Compliant**
REACH SVHC
 Not Reviewed
**Halogen-Free
 Status**
Not Reviewed

China RoHS

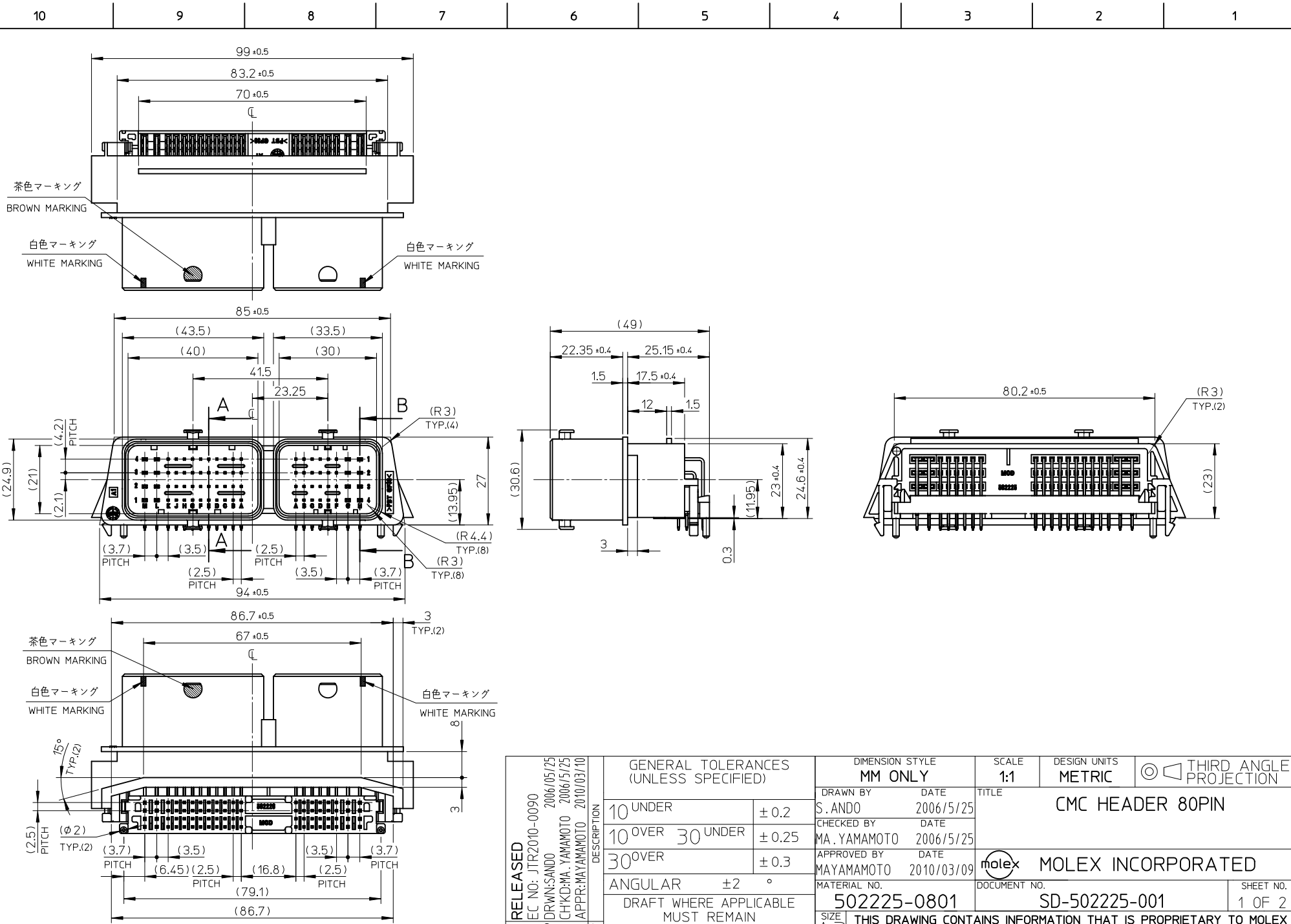


**Need more information on product
 environmental compliance?**

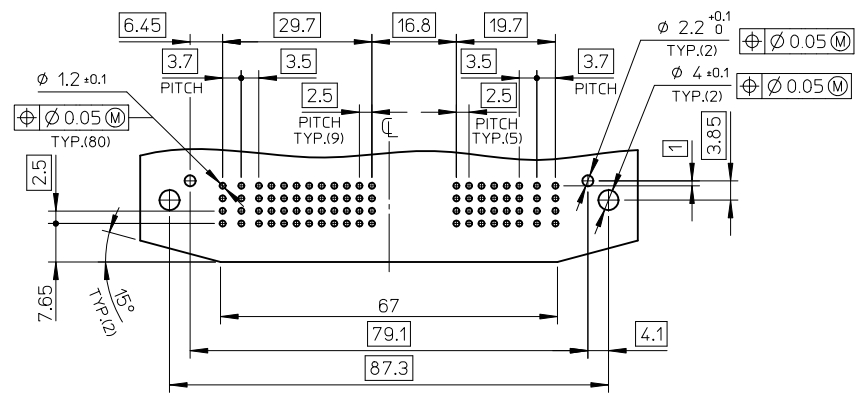
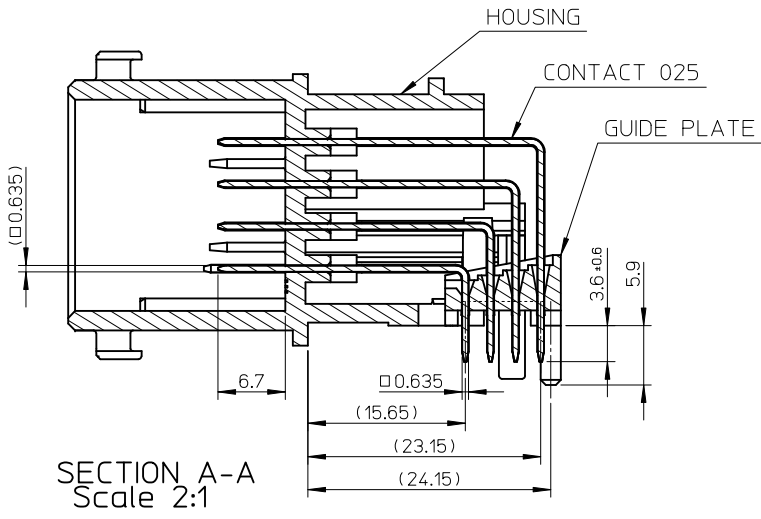
Email productcompliance@molex.com
 For a multiple part number RoHS Certificate of Compliance, [click here](#)

Please visit the [Contact Us](#) section for any non-product compliance questions.

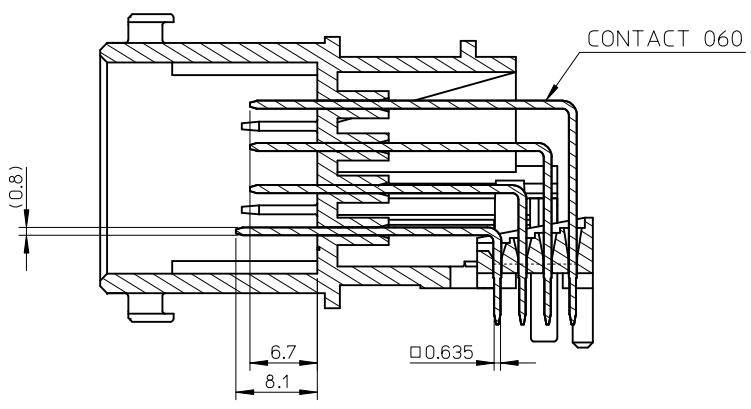
Search Parts in this Series
[502118Series](#)



RELEASED EC NO.: JTR2010-0090 DRWN: SANDO 2006/05/25 CHKD: MA. YAMAMOTO 2006/5/25 APPR: MAYAMOTO 2010/03/10	GENERAL TOLERANCES (UNLESS SPECIFIED)		DIMENSION STYLE MM ONLY	SCALE 1:1	DESIGN UNITS METRIC	THIRD ANGLE PROJECTION	
	10 UNDER ± 0.2 10 OVER 30 UNDER ± 0.25 30 OVER ± 0.3	DRAWN BY S. ANDO	DATE 2006/5/25	TITLE CMC HEADER 80PIN			
	ANGULAR ± 2 ° DRAFT WHERE APPLICABLE MUST REMAIN WITHIN DIMENSIONS	CHECKED BY MA. YAMAMOTO	DATE 2006/5/25	APPROVED BY MAYAMOTO 2010/03/09			
	SIZE A3	MATERIAL NO. 502225-0801	DOCUMENT NO. SD-502225-001	MOLEX INCORPORATED			
REV 0	THIS DRAWING CONTAINS INFORMATION THAT IS PROPRIETARY TO MOLEX INCORPORATED AND SHOULD NOT BE USED WITHOUT WRITTEN PERMISSION		SHEET NO. 1 OF 2		EN-02DA(021)		



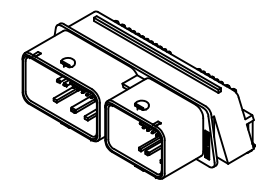
基板穴推奨寸法 (部品実装側)
RECOMMENDED PCB LAYOUT (COMPONENT SIDE)



SECTION B-B
Scale 2:1

注記
NOTES

- ハウジング材料: PBT-GF30%, 黒色
HOUSING MATERIAL: PBT, GF30%, BLACK
- 端子材料: 銅合金
CONTACT MATERIAL: COPPER ALLOY
- 端子表面処理:
コンタクト部: 銅めっき
テール部: 銅めっき
接地コネクタめっき (025, 060端子全面)
CONTACT PLATING:
CONTACT AREA: Sn PLATING
TAIL AREA: Sn PLATING
UNDER NICKEL PLATING (ALL OVER)
- 適合基板厚: 1.6±0.1mm
APPLICABLE PCB THICKNESS: 1.6±0.1mm
- 適合適合コネクタ:
64319-3211 (32ピン, 黒, 右)
64320-1519 (48ピン, 茶, 左) 又は,
64319-1211 (32ピン, 黒, 左)
64320-3319 (48ピン, 茶, 右)
APPLICABLE MATING CONNECTOR:
64319-3211 (32PIN, BLACK, RIGHT);
64320-1519 (48PIN, BROWN, LEFT) OR,
64319-1211 (32PIN, BLACK, LEFT);
64320-3319 (48PIN, BROWN, RIGHT)
- 製品仕様書:
PS-64319-001参照
PRODUCT SPECIFICATION:
REFER TO PS-64319-001



RELEASED EC NO: JTR2010-0090 DRWN: SANDO 2006/05/25 CHKD: MA.YAMAMOTO 2006/5/25 APPR: MAYAMAMOTO 2010/03/10	GENERAL TOLERANCES (UNLESS SPECIFIED)		DIMENSION STYLE MM ONLY		SCALE 1:1	DESIGN UNITS METRIC	THIRD ANGLE PROJECTION
	10 UNDER	± 0.2	DRAWN BY S. ANDO	DATE 2006/5/25	TITLE CMC HEADER 80PIN		
	10 OVER 30 UNDER	± 0.25	CHECKED BY MA.YAMAMOTO	DATE 2006/5/25	MOLEX INCORPORATED DOCUMENT NO. SD-502225-001 SHEET NO. 2 OF 2		
	30 OVER	± 0.3	APPROVED BY MAYAMAMOTO	DATE 2010/03/09			
0	ANGULAR ± 2 °	MATERIAL NO. SEE SHEET No.1		THIS DRAWING CONTAINS INFORMATION THAT IS PROPRIETARY TO MOLEX INCORPORATED AND SHOULD NOT BE USED WITHOUT WRITTEN PERMISSION			
	DRAFT WHERE APPLICABLE MUST REMAIN WITHIN DIMENSIONS						